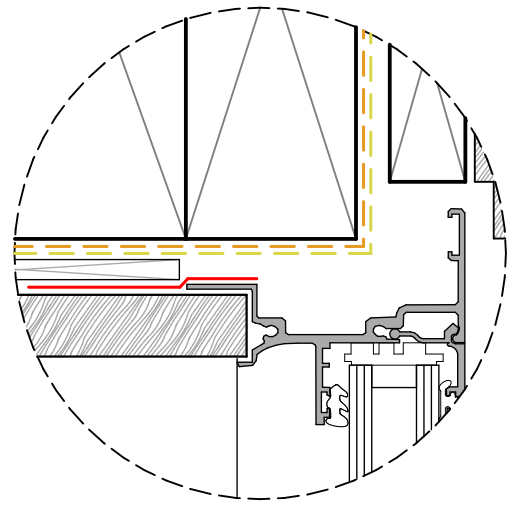
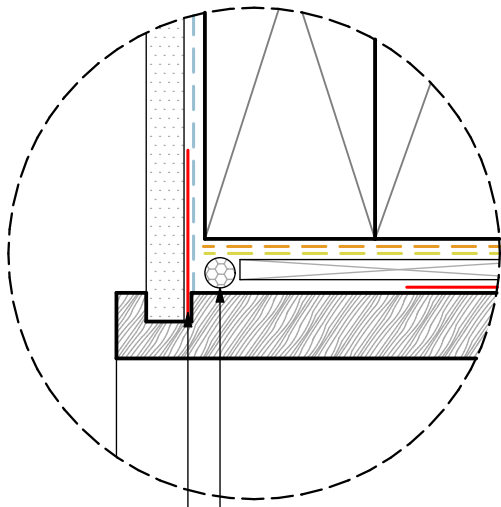


# A4212 Pro Clima Door / Window Joinery Aluminium Head Detail

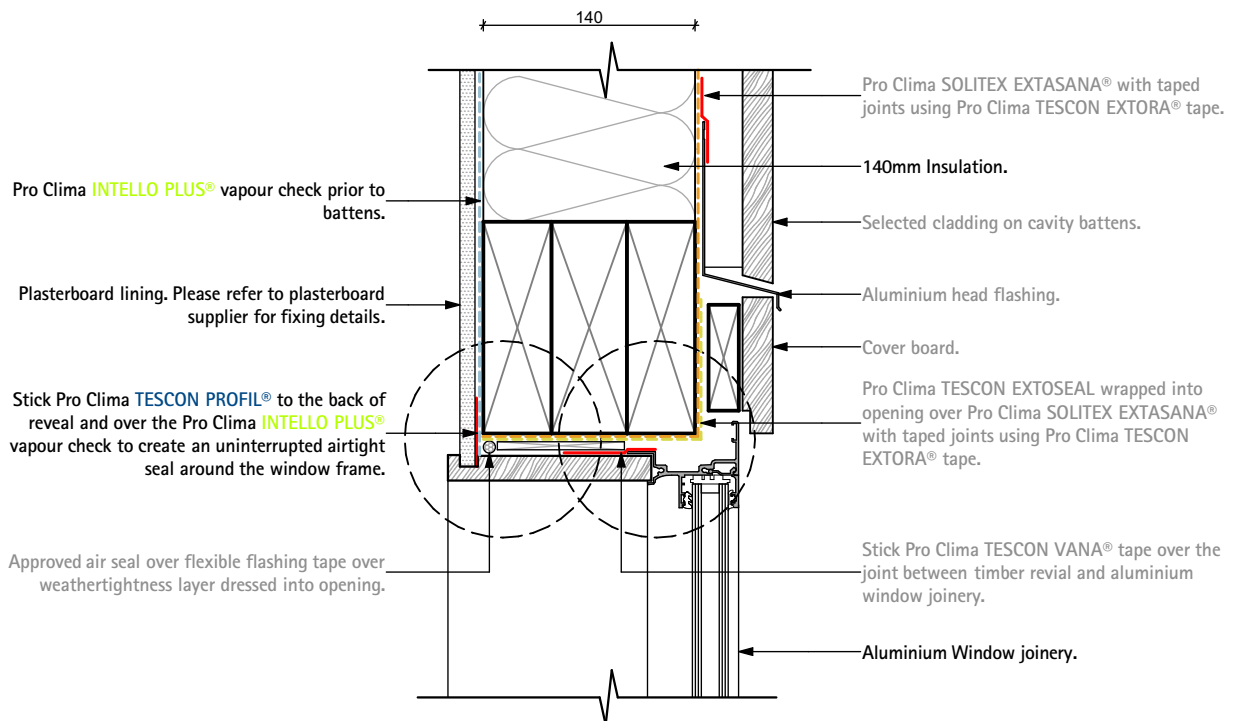
Typical vertical 140mm wall - Window head detail, Direct fixing



Approved air seal over flexible flashing tape over weathertightness layer dressed into opening.

Stick Pro Clima **TESCON PROFIL®** to the back of reveal and over the Pro Clima **INTELLO PLUS®** vapour check to create an uninterrupted airtight seal around the window frame.

Please have a look at our WINDOW-DOOR REVEAL DETAIL ID No.: 4001



**Pro Clima NZ Limited**

Freephone: 0800 PRO CLIMA (776 254)  
PO Box 925 CBD

Phone: 04 589 8460  
Fax: 04 589 8461

Wellington 6140

Email: support@proclima.co.nz  
Web: www.proclima.co.nz

Title:

**Door / Window Joinery Aluminium Head Detail**

Scale: 1:5, 1:2  
Revision: D  
Issued: 06-03-2019

Detail  
Number:

**A4212**

© This drawing is the property of pro clima and must not be copied without permission. This drawing is a Guideline only. Thermal and hygrothermal performance should match specific design, materials and climate requirements. These can be confirmed by hygrothermal analysis using software eg WUFI.