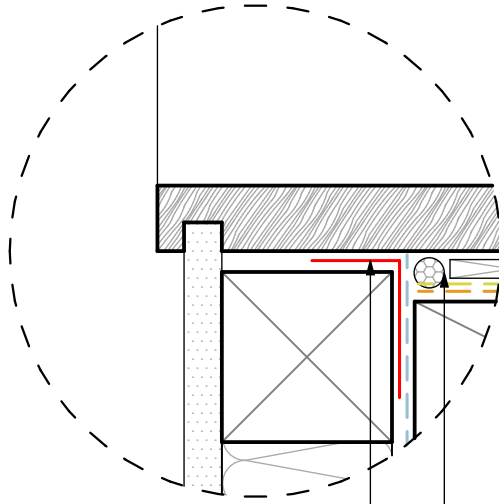


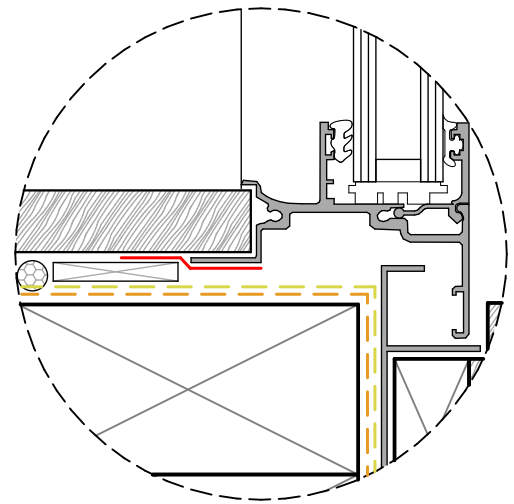
# A4221 Pro Clima Door / Window Joinery Aluminium Jamb Detail

Typical vertical 90mm wall - Window jamb detail with 45mm service cavity

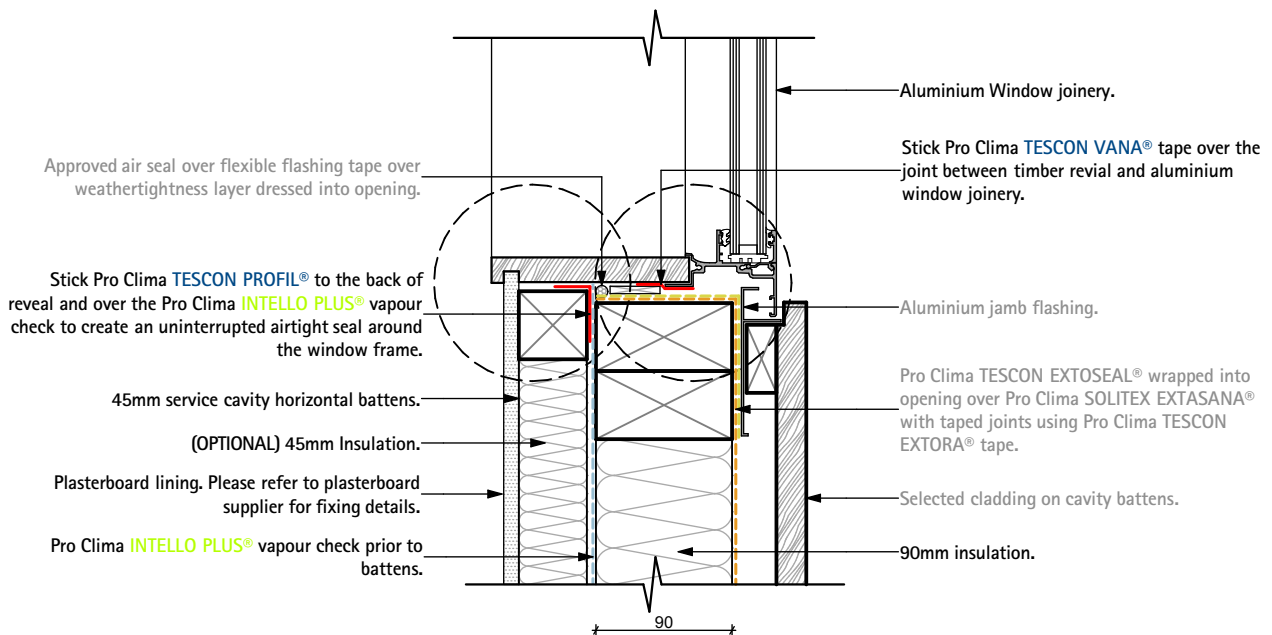


Stick Pro Clima **TESCON PROFIL**® to the back of reveal and over the Pro Clima **INTELLO PLUS**® vapour check to create an uninterrupted airtight seal around the window frame.

Approved air seal over flexible flashing tape over weathertightness layer dressed into opening.



Please have a look at our WINDOW-DOOR REVEAL DETAIL ID No.: 4001



**Pro Clima NZ Limited**  
 Freephone: 0800 PRO CLIMA (776 254)  
 PO Box 925 CBD

Phone: 04 589 8460  
 Fax: 04 589 8461

Wellington 6140

Email: support@proclima.co.nz  
 Web: www.proclima.co.nz

Title:  
**Door / Window Joinery Aluminium Jamb Detail**

Scale: 1:2, 1:5  
 Revision: D  
 Issued: 06-03-2019

Detail  
 Number:

**A4221**

© This drawing is the property of pro clima and must not be copied without permission. This drawing is a Guideline only. Thermal and hygrothermal performance should match specific design, materials and climate requirements. These can be confirmed by hygrothermal analysis using software eg WUFI.