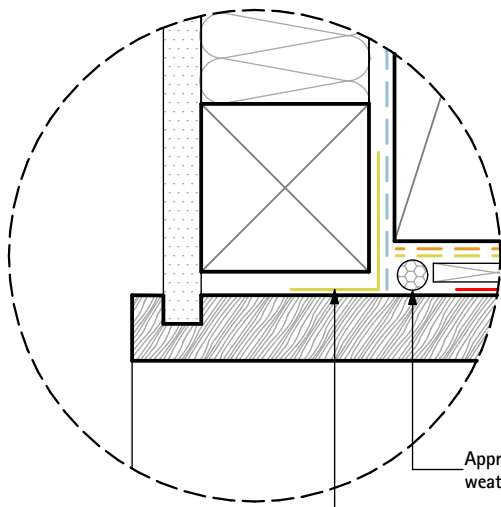


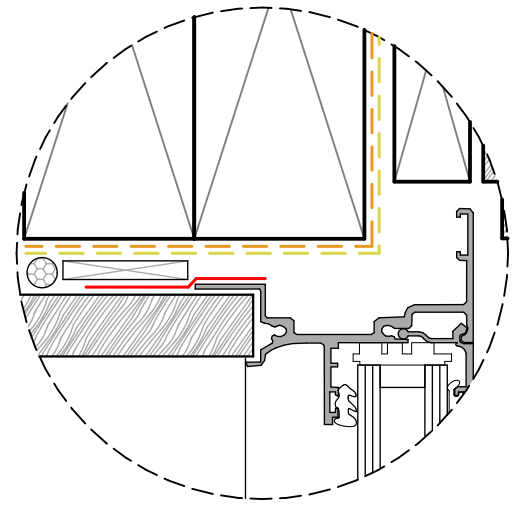
# W4211 Pro Clima Door / Window Joinery Aluminium Head Detail

Typical vertical 90mm wall – Window head detail with 45mm service cavity

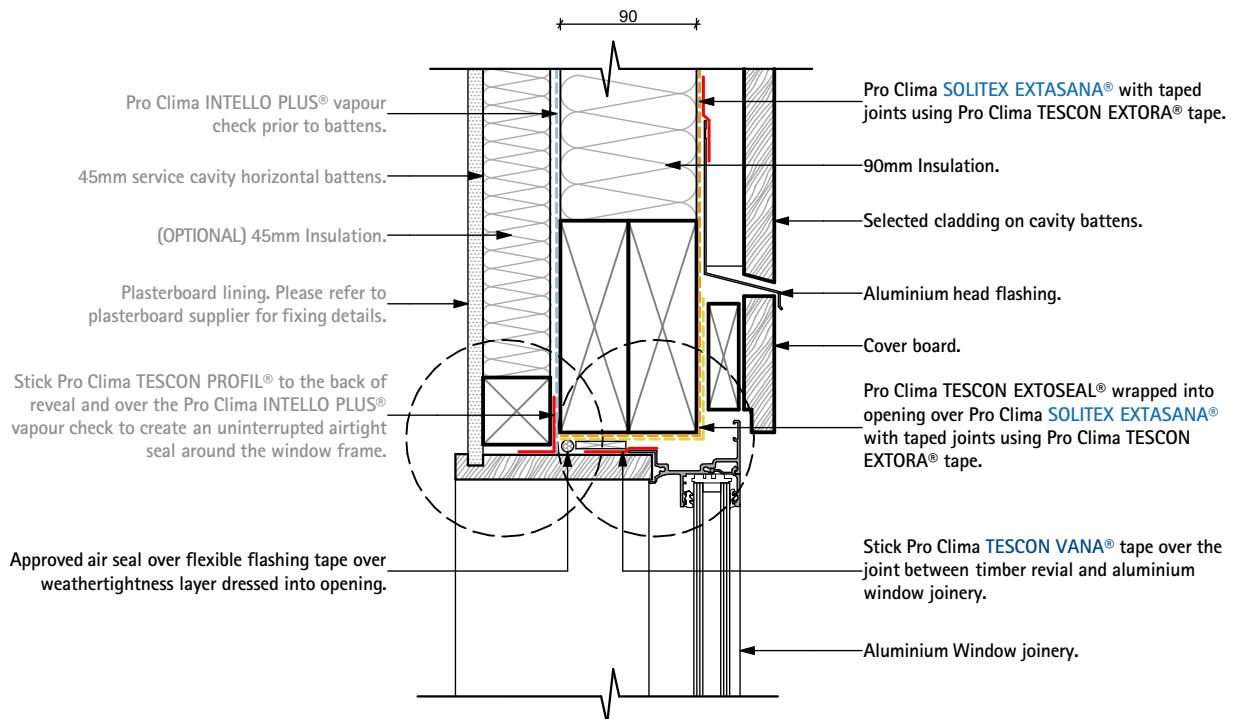


Approved air seal over flexible flashing tape over weathertightness layer dressed into opening.

Stick Pro Clima TESCON PROFIL® to the back of reveal and over the Pro Clima INTELLO PLUS® vapour check to create an uninterrupted airtight seal around the window frame.



Please have a look at our WINDOW-DOOR REVEAL DETAIL ID No.: 4001



**Pro Clima NZ Limited**

Freephone: 0800 PRO CLIMA (776 254)  
PO Box 925 CBD

Phone: 04 589 8460  
Fax: 04 589 8461

Wellington 6140

Email: support@proclima.co.nz  
Web: www.proclima.co.nz

Title:

**Door / Window Joinery Aluminium Head Detail**

Scale: 1:2, 1:5  
Revision: D  
Issued: 06-03-2019

Detail  
Number:

**W4211**