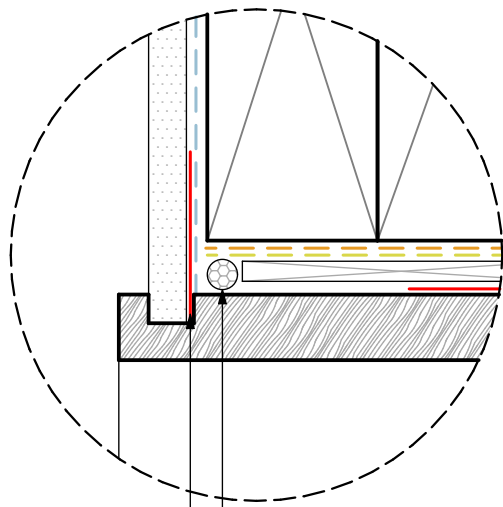


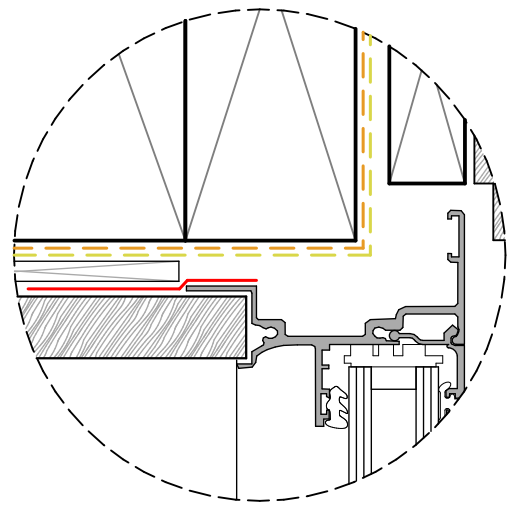
W4212 Pro Clima Door / Window Joinery Aluminium Head Detail

Typical vertical 140mm wall – Window head detail, Direct fixing

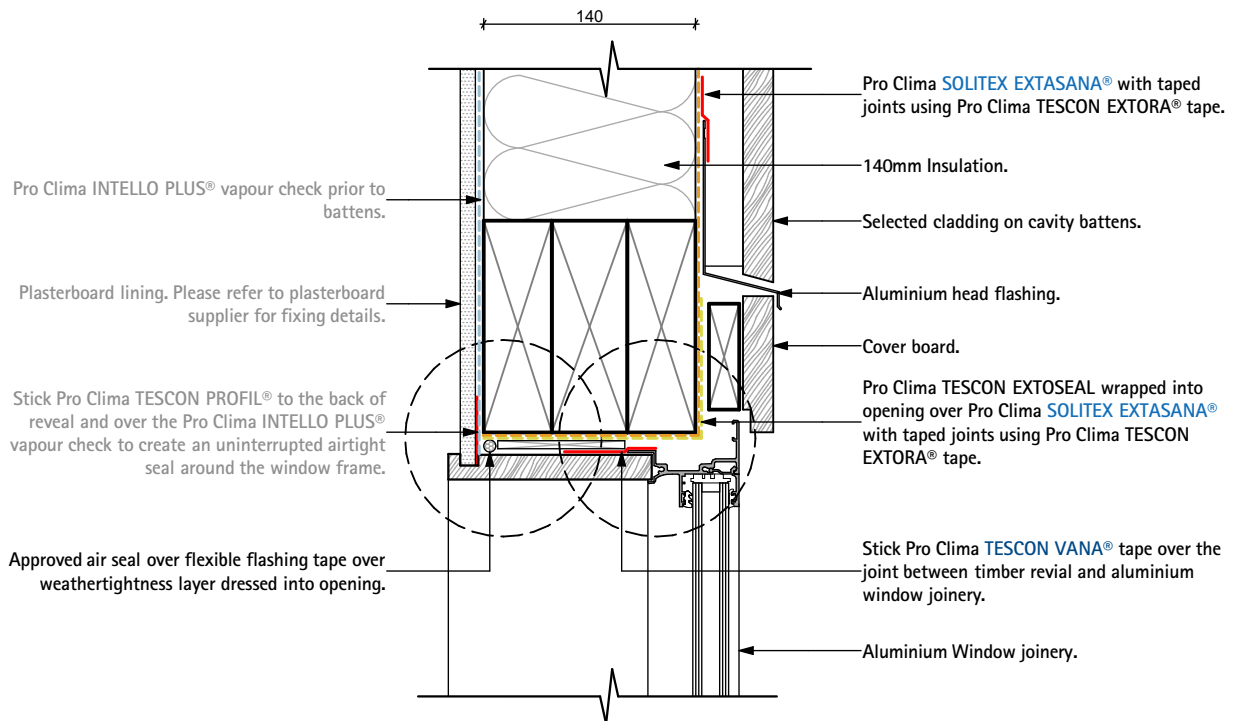


Approved air seal over flexible flashing tape over weathertightness layer dressed into opening.

Stick Pro Clima TESCON PROFIL® to the back of reveal and over the Pro Clima INTELLO PLUS® vapour check to create an uninterrupted airtight seal around the window frame.



Please have a look at our WINDOW-DOOR REVEAL DETAIL ID No.: 4001



Pro Clima NZ Limited
 Freephone: 0800 PRO CLIMA (776 254)
 PO Box 925 CBD

Phone: 04 589 8460
 Fax: 04 589 8461

Wellington 6140
 Email: support@proclima.co.nz
 Web: www.proclima.co.nz

Title:
Door / Window Joinery Aluminium Head Detail

Scale: 1:5, 1:2
 Revision: D
 Issued: 06-03-2019

Detail
 Number: **W4212**

© This drawing is the property of pro clima and must not be copied without permission. This drawing is a Guideline only. Thermal and hygrothermal performance should match specific design, materials and climate requirements. These can be confirmed by hygrothermal analysis using software eg WUFI.