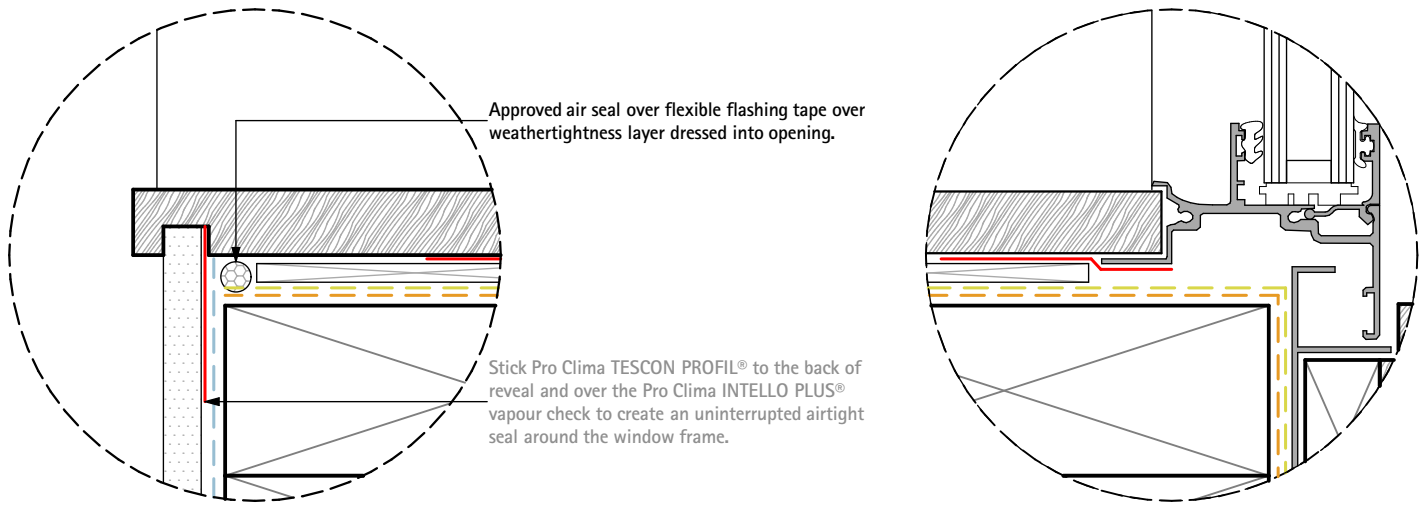
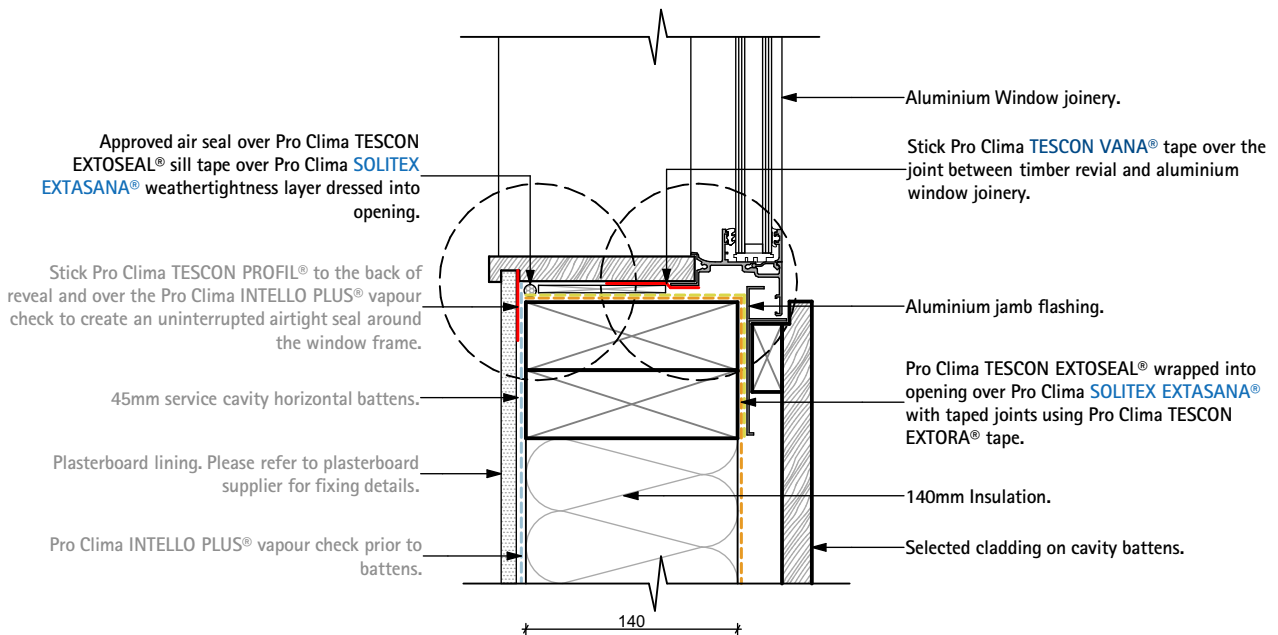


W4222 Pro Clima Door / Window Joinery Aluminium Jamb Detail

Typical vertical 140mm wall – Window jamb detail, Direct fixing



Please have a look at our WINDOW-DOOR REVEAL DETAIL ID No.: 4001



Pro Clima NZ Limited
 Freephone: 0800 PRO CLIMA (776 254)
 PO Box 925 CBD

Phone: 04 589 8460
 Fax: 04 589 8461

Wellington 6140

Email: support@proclima.co.nz
 Web: www.proclima.co.nz

Title:
Door / Window Joinery Aluminium Jamb Detail

Scale: 1:2, 1:5
 Revision: D
 Issued: 06-03-2019

Detail
 Number: **W4222**

© This drawing is the property of pro clima and must not be copied without permission. This drawing is a Guideline only. Thermal and hygrothermal performance should match specific design, materials and climate requirements. These can be confirmed by hygrothermal analysis using software eg WUFI.