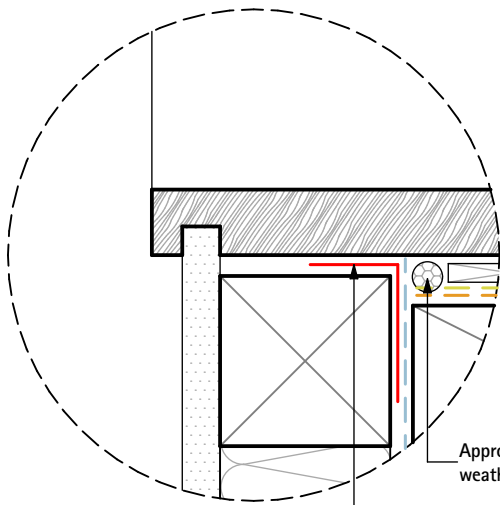


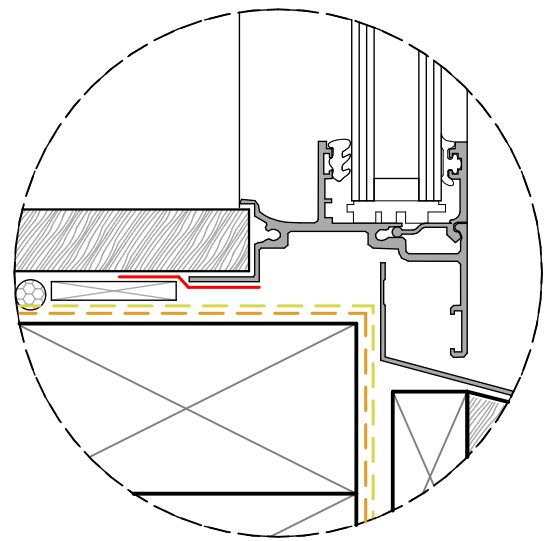
W4231 Pro Clima Door / Window Joinery Aluminium Sill Detail

Typical vertical 90mm wall – Window sill detail with 45mm service cavity

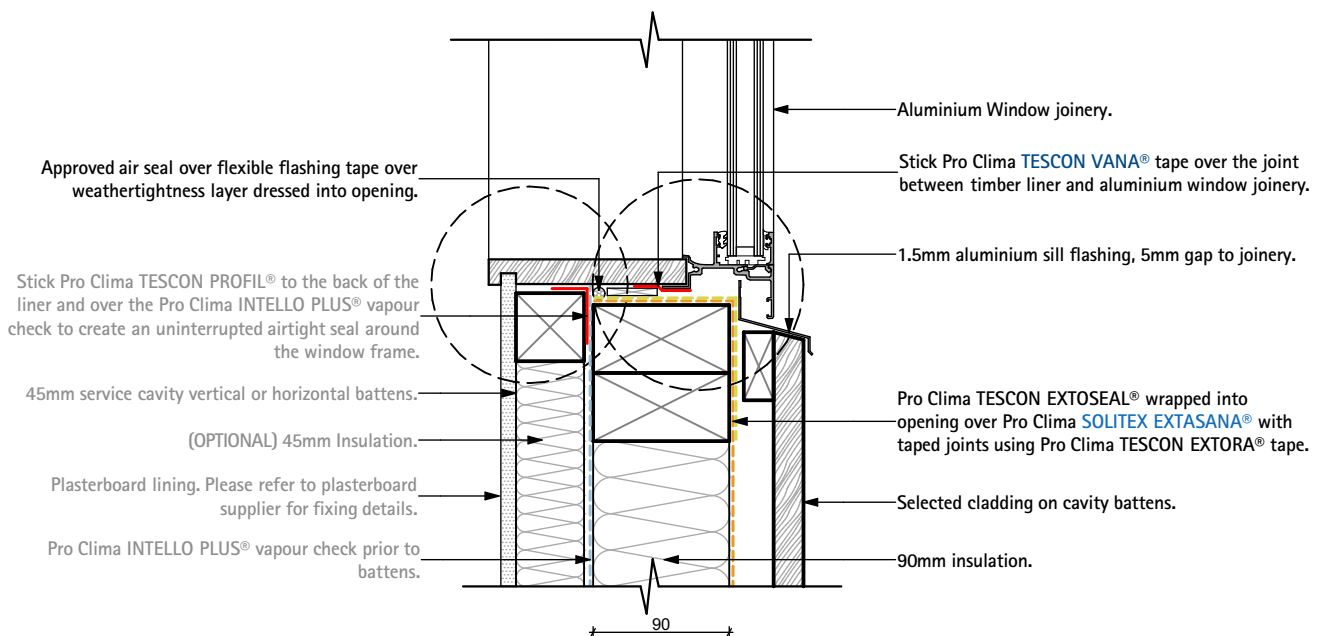


Approved air seal over flexible flashing tape over weathertightness layer dressed into opening.

Stick Pro Clima **TESCON PROFIL®** to the back of the liner and over the Pro Clima **INTELLO PLUS®** vapour check to create an uninterrupted airtight seal around the window frame.



Please have a look at our WINDOW-DOOR REVEAL DETAIL ID No.: 4001



Pro Clima NZ Limited

Freephone: 0800 PRO CLIMA (776 254)
PO Box 925 CBD

Phone: 04 589 8460
Fax: 04 589 8461

Wellington 6140

Email: support@proclima.co.nz
Web: www.proclima.co.nz

Title:

Door / Window Joinery Aluminium Sill Detail

Scale: 1:2, 1:5
Revision: D
Issued: 06-03-2019

Detail
Number:

W4231

© This drawing is the property of pro clima and must not be copied without permission. This drawing is a Guideline only. Thermal and hygrothermal performance should match specific design, materials and climate requirements. These can be confirmed by hygrothermal analysis using software eg WUFI.